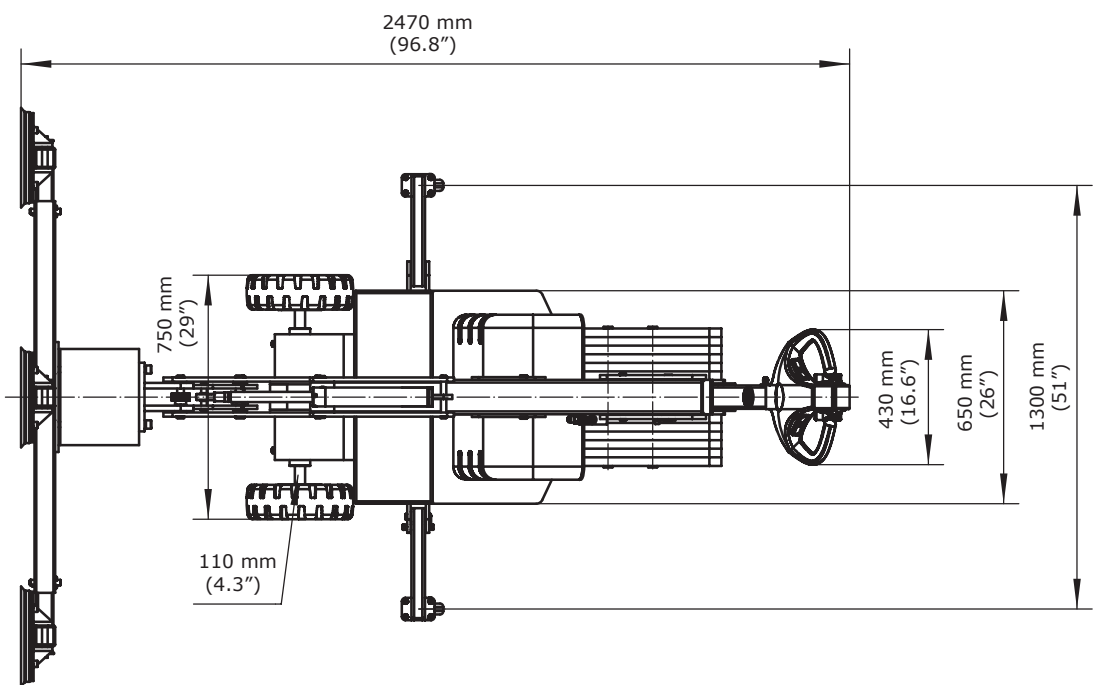
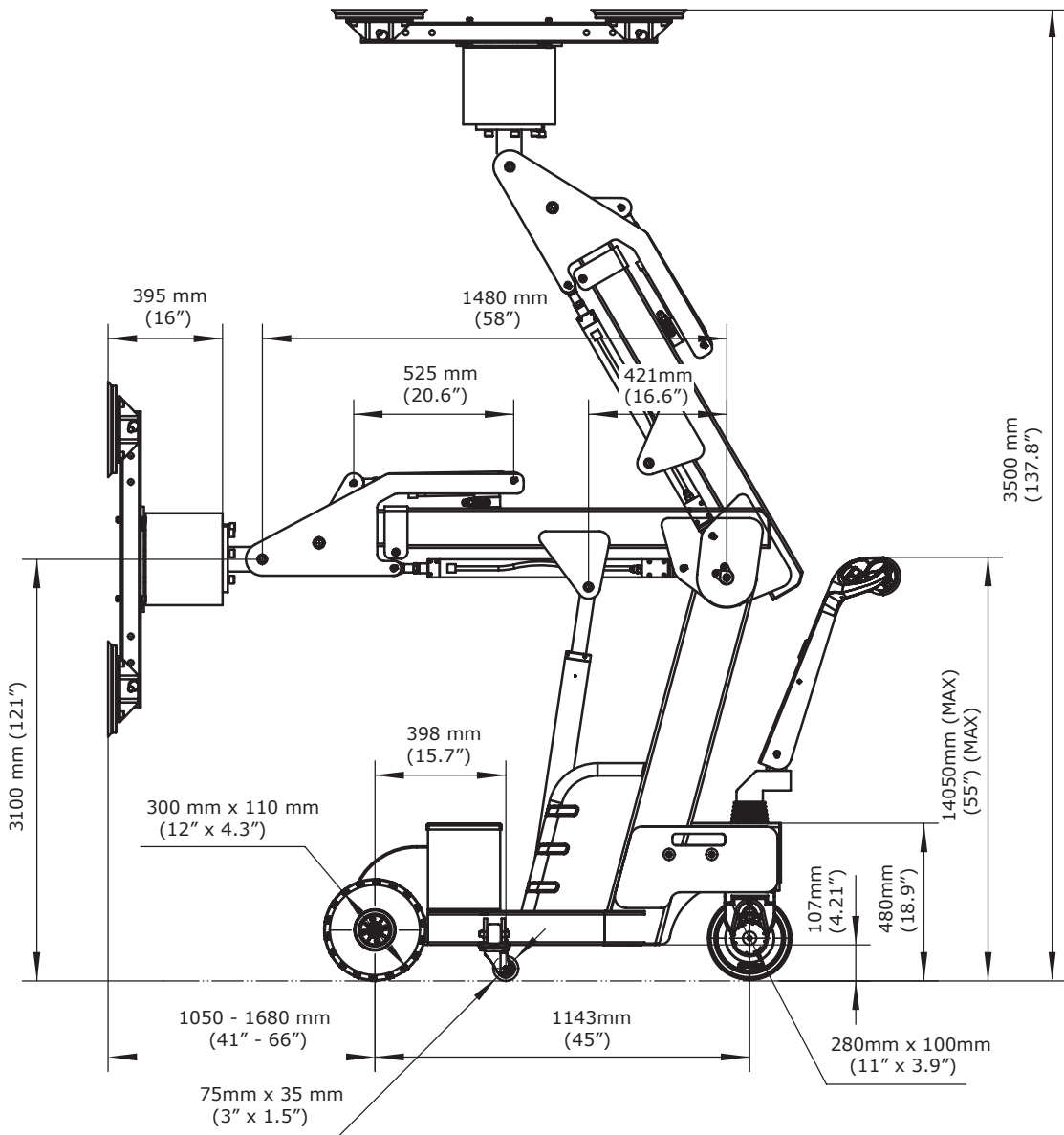


QUATTROLIFTS VECTOR 400



1. Capacity: 400kg (880lbs)	7. Vacuum Cups: 6 x 300 mm sprung
2. Hydraulic System: 24v / 1300watts	8. Vac Cup Area Height: 1200 mm (47")
3. 280mm (11") 1200W Drive Wheel	9. Vac Cup Area Width: 1850 mm (73")
4. Battery: 4x 12v / 55A	10. No-Load Lifting: 18mm/s (3/4 in/s)
5. Charger: 110 - 220v	11. No-Load Climbing: 5% Gradient
6. Vacuum Pumps: 2 x 24V, 35 lit/min	12. Machine Weight: 750kg (1650 lbs)